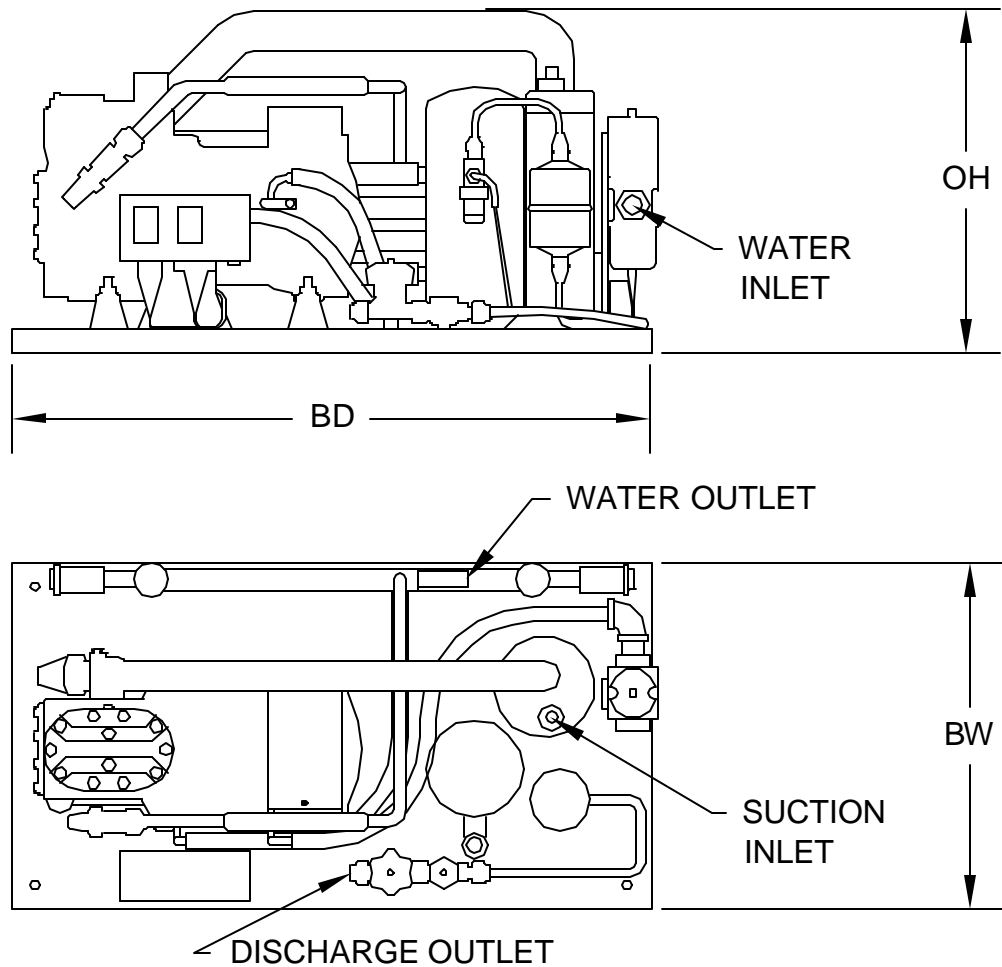


# "SHIPBOARD" GL: 050-CMK



FEATURE	SPECIFICATION	
MODEL	GL: 050-CMK	
HORSEPOWER	1/2 HP	2650 BTU @ -10 F
REFRIGERANT	R-22	
BASE WIDTH	14.25 (356mm)	
BASE DEPTH	26.25 (656mm)	
WEIGHT	105 LBS/ 47.7 Kg	
OVERALL HEIGHT	14.20 (355mm)	
SUCTION INLET	1/2" SWEAT	
DISCHARGE OUTLET	1/4" FLARE	
WATER INLET	1/2" FNPT	
WATER OUTLET	5/8" HOSE	
VOLTAGE	115/230 VAC	REMOTE MOUNTED POWER RELAY CONTROL BOX IS 12" x 14" x 5" THK
PHASE	1	
FREQUENCY (Hz)	60	
CONTROL VOLTAGE	12 V AND 24 V	
LRA	58@115VAC & 25@230VAC	
RLA	10@115VAC & 4@230VAC	

www.glaciercorp.com



## Glacier Corporation

2610 S. HALLADAY STREET  
SANTA ANA, CALIFORNIA 92705  
(714) 557-2826 FAX (714) 557-2823