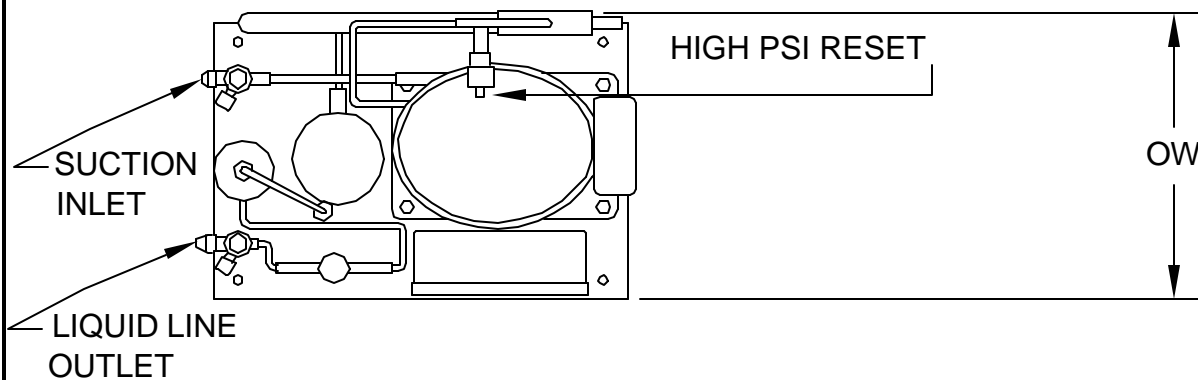
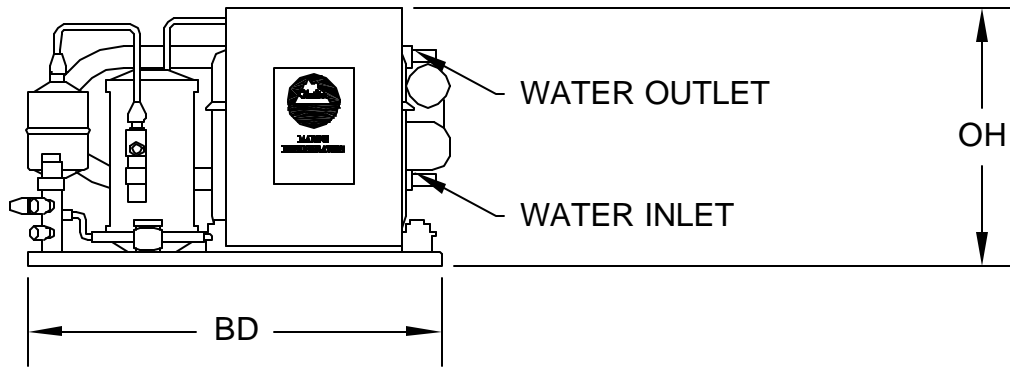


GL: 035-C-



FEATURE	SPECIFICATION	
MODEL	GL: 035-C	NOTES
HORSEPOWER REFRIGERANT	1/3 + R-134A	1650 BTU @ -10 deg. F EVAP.
OVERALL WIDTH BASE DEPTH WEIGHT OVERALL HEIGHT	11.80 (295mm) 17.00 (425mm) 50 LBS/ 22.7 Kg 11.00 (275mm)	
SUCTION INLET LIQUID LINE OUTLET WATER INLET WATER OUTLET	3/8" SAE FLARE 1/4" SAE FLARE 1/2" HOSE 1/2" HOSE	
VOLTAGE PHASE FREQUENCY (Hz) LRA RLA WEIGHT	115 VAC SINGLE 60 30 5.1 31 LBS (14.06 Kg)	

